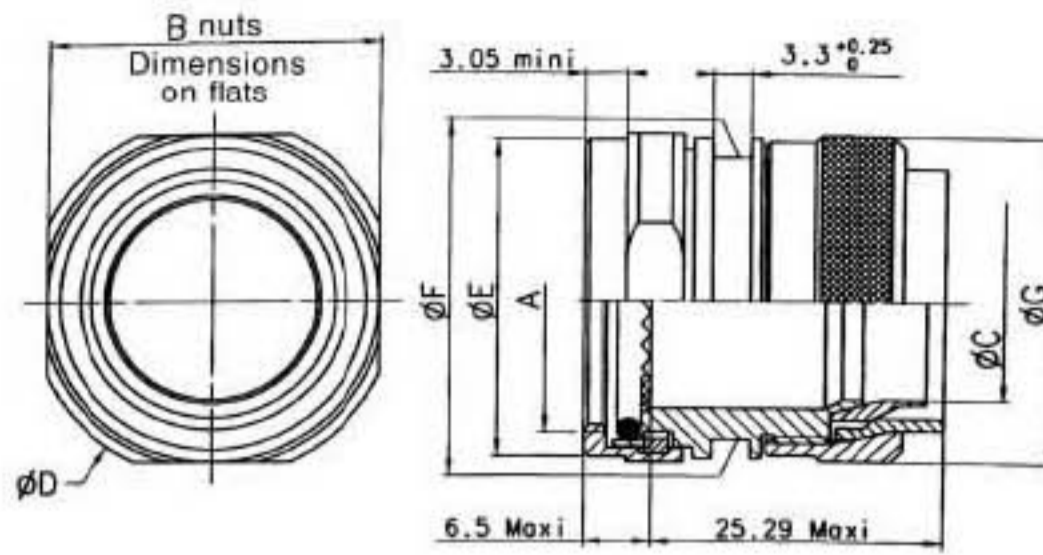


LJT NSA suitable for LJT, MIL-DTL-38999 series 1, HE308, RNJ connectors



Size	A UNEF	B $^{+0.05}_{-0.18}$	C mini	$\varnothing D$ maxi	$\varnothing E$ maxi	$\varnothing F$	$\varnothing G$ maxi
9	.4375-28	16.7	6.9	20.1	15.2	13.35	16.4
11	.5625-24	20.7	9.6	23.1	18.4	16.5	19.53
13	.6875-24	22.7	12.7	26.1	21.6	19.65	22.6
15	.8125-20	25.7	14.8	29.1	24.8	22.2	25.8
17	.9375-20	28.7	17.9	32.1	28	26.4	28.8
19	1.0625-18	31.7	19.9	35.1	31	27.5	31.8
21	1.1875-18	35.7	23.1	39.1	34.2	30.74	33.87
23	1.3125-18	38.7	26.2	42.1	37.4	34	36.9
25	1.4375-18	41.7	28.8	45.1	40.6	38.8	41.52

Dimensions in mm

Series	LJT	NSA	11	014
Type of backshell				
NSA: screened clamping braid backshell accepting heatshrink molded piece				
Size of backshell	9-11-13-15-17-19-21-23-25			
Finish	014: olive-drab cadmium plating 023: electroless nickel plating			

Do not hesitate to contact us for further information



Amphenol

Amphenol Socapex
Mil/Aero & Industrial Business Unit

948, Promenade de l'Arve - BP 29

F - 74311 Thyez Cedex

Tel.: +33 (0) 4 50 89 28 00 - Fax: +33 (0) 4 50 96 19 41

<http://www.amphenol.com>

Sales office in Paris

Tel.: +33 (0) 1 49 05 30 00 - Fax: +33 (0) 1 49 05 30 43